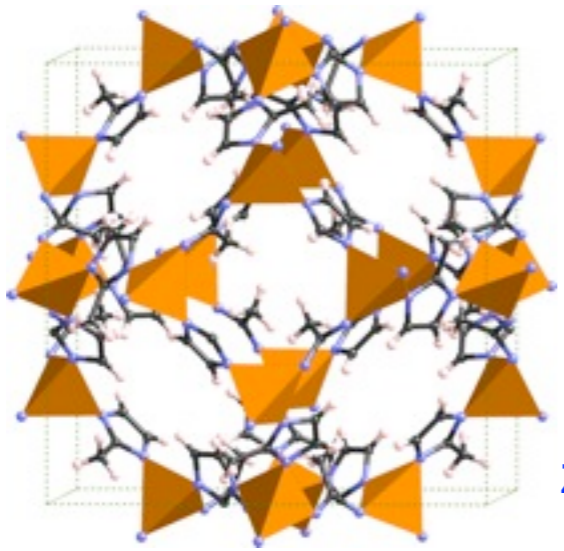
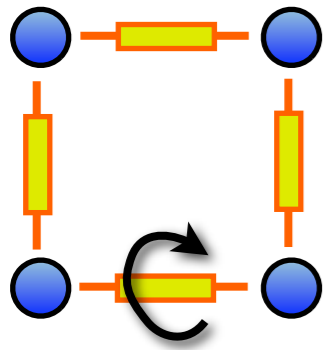
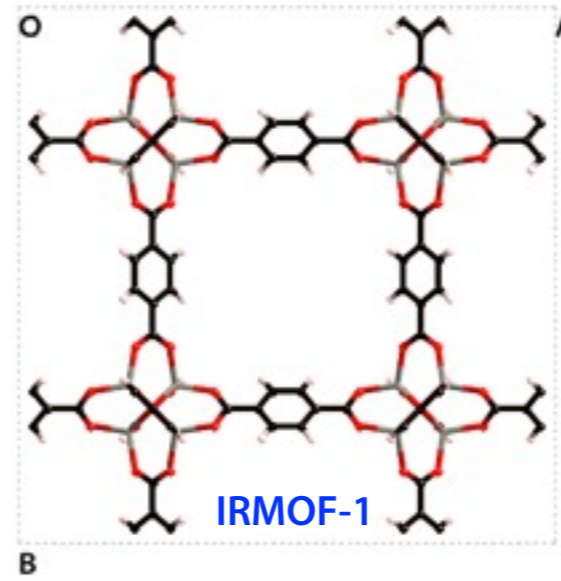


intraframework dynamics

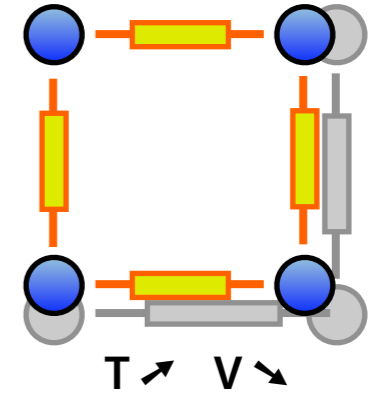


ZIF-8

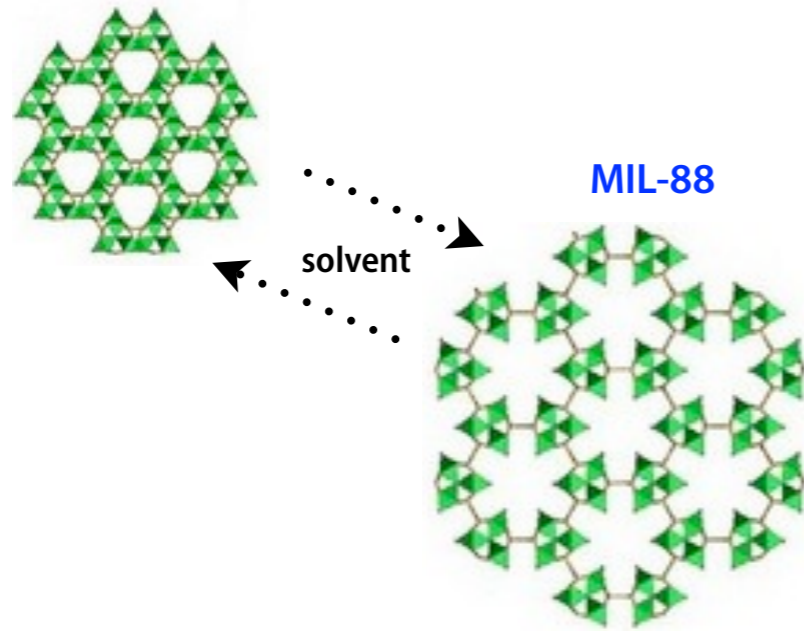
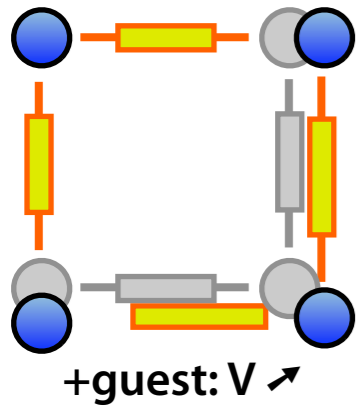


IRMOF-1

negative thermal expansion

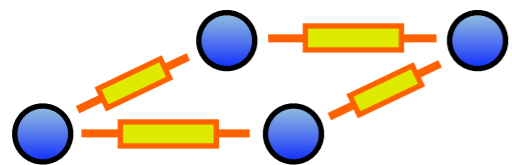
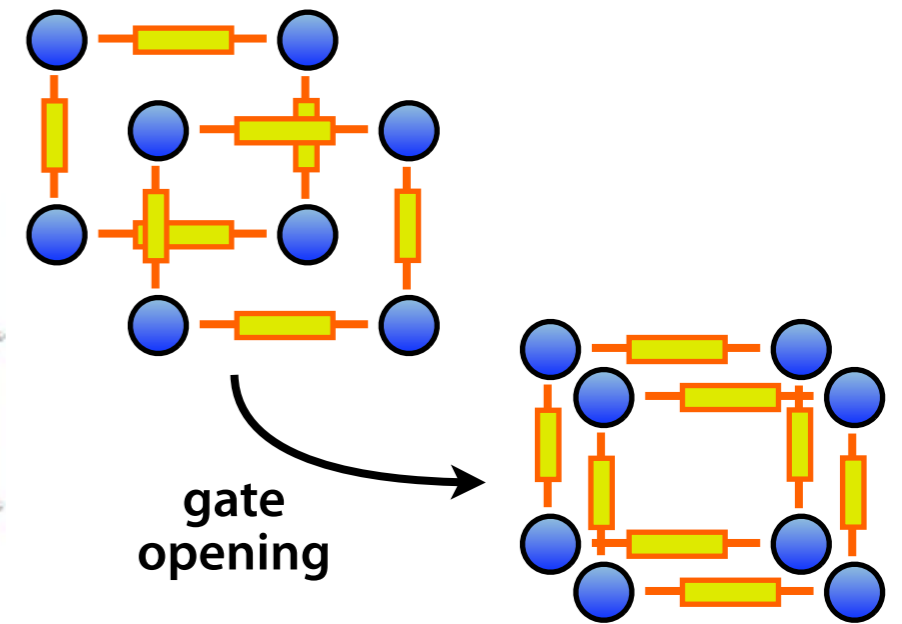
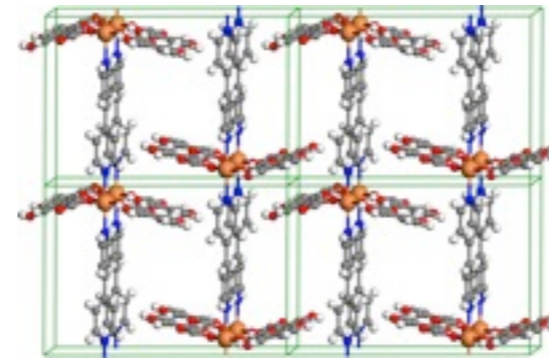


swelling

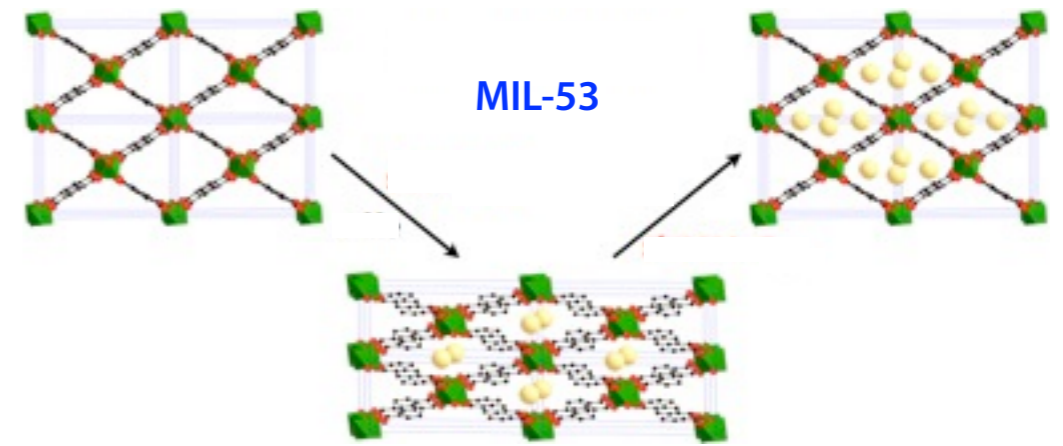
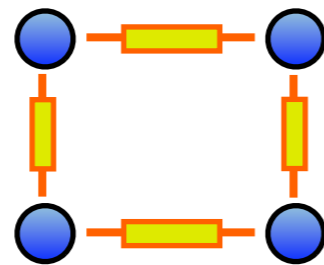


MIL-88

Cu(4,4'-bipy)(dhbc)₂



breathing



MIL-53